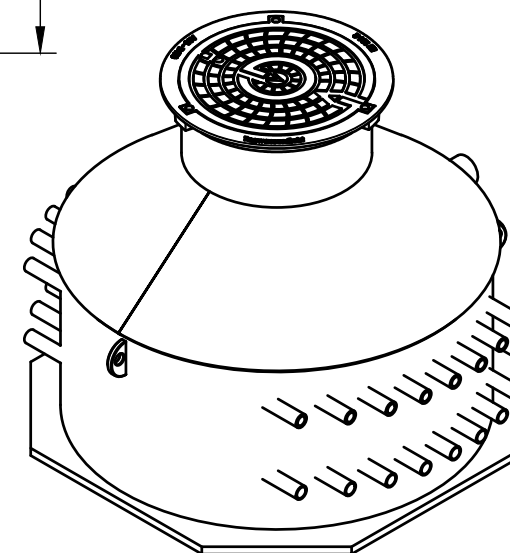



B125 Gussdeckel  
(12.5 Tonnen)



Dept.	Technical reference <b>Masse in mm</b>	Created by <b>Dietmar Alge</b>	Approved by	
		Document type	Document status	
		Title <b>GESER ECO 1400 mit fixem Dom und B125 Deckel</b>	DWG No.	
Rev.	Date of issue <b>24.07.2023</b>	Sheet <b>1/1</b>		